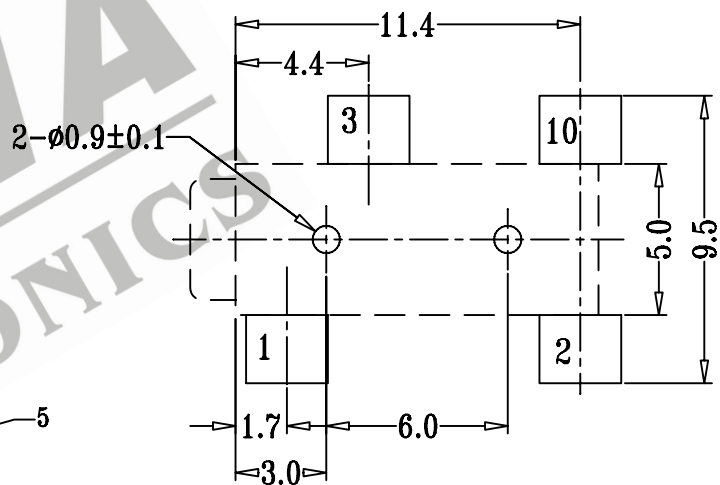
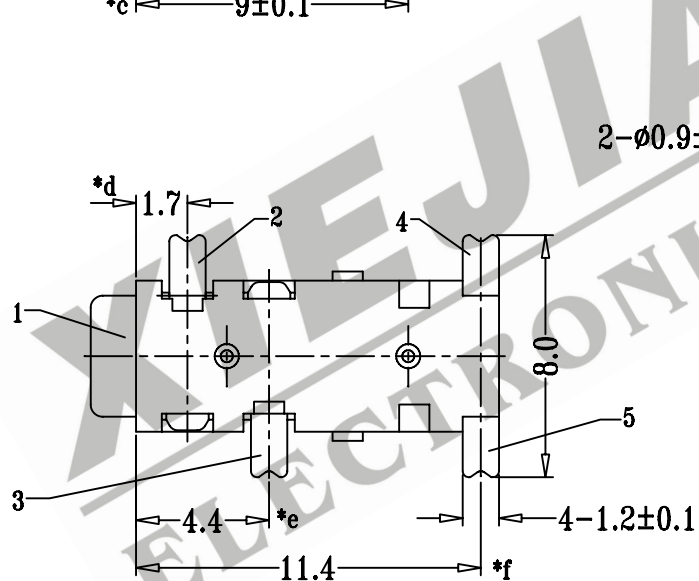
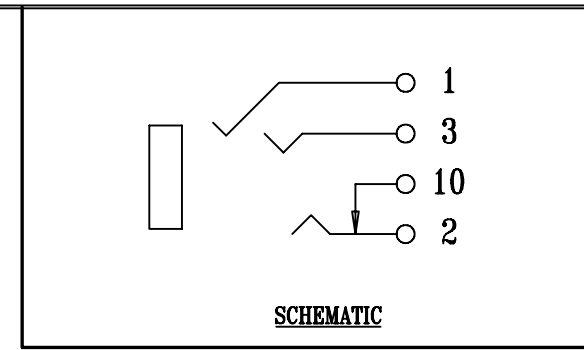
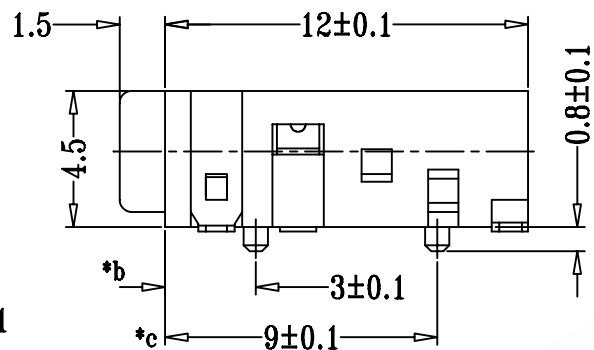
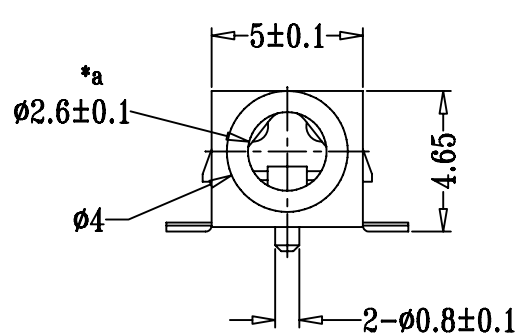


CAD FILE:



注:带"*"表示关键尺寸(6个)

8					TOLERANCE UNLESS SPECIFIED	SHENZHEN XIEJIA ELECTRONICS CO.,LTD.				
7										
6					WITHIN: 1.5±0.1mm OVER: 1.5±0.2mm	ISSUE	DATE	DESCRIPTIONS OF REVISION		APPD.
5	TERMINAL D	BRASS	1	Au PLATED						
4	SPRING TERMINAL C	PBS STRIP	1	Au PLATED	TITLE : PHONE JACK	UNIT : mm	DRWG NO.: XJ-DR-ST104-00			
3	SPRING TERMINAL B	PBS STRIP	1	Au PLATED			MODEL: ST-104	SCALE: 4:1	DWN.	ZHOUYU
2	SPRING TERMINAL A	PBS STRIP	1	Au PLATED	ALL MATERIALS MUST BE COMPLIANT TO ROHS				CHK'D	FANGYING
1	CASE	NYLON+F.G+94V0	1	BLACK			APPD.		KANGXINAN	2004-9-30
NO.	PARTS	MATERIALS	Q'TY	FINISH						